

C300 Observation Elevator (A)



HC-008 Half Round Type

Arch canopy	Scarlet acrylic
Canopy skirt	Mirror ST/ST
Observation glass	180° round glue glass(3 pieces), thickness 5+5mm
Decoration ceiling	painted steel frame and acrylic
Car panel	Hairline ST/ST
Handrail	ST/ST, ϕ 32mm
Floor	PVC

HC-010 Half Round Type

Arch canopy	Acrylic.
Canopy skirt	Baked Enamel Steel and acrylic.
Observation glass	180° round glue glass(3 pieces) thickness 6+6mm.
Decoration ceiling	Baked Enamel Steel and acrylic.
Car panel	Laminated Glass and ST/ST Hairline Finished. Glass thickness is 6+6mm.
Handrail	ST/ST, ϕ 38mm.
Floor	PVC



HC-012 Plane Type

Arch canopy	Painted steel decorated with lighting lines
Canopy skirt	Painted steel
Observation glass	Plane glue glass, thickness 5+5mm
Decoration ceiling	Painted steel and canister light
Car panel	8K mirror ST/ST + cross-band etched ST/ST
Handrail	ST/ST, ϕ 38mm
Floor	PVC



HC-011 Plane Type

Arch canopy	Painted steel
Observation glass	Plane glue glass, thickness 6+6mm
Decoration ceiling	ST/ST Mirror Finished and acrylic.
Car panel	Plane glue glass, thickness 6+6mm
Handrail	Mirror ST/ST.square
Floor	PVC

C300 Observation Elevator (A)

C300 Observation Elevator

C300 observation elevator is fashion and beautiful, which endow individual character and vigor to the environment. Many kinds of model as half round, plane and etc are available. No matter sealed outdoor or indoor, the observation elevator is always the focus of the building.

C300 observation elevator, the highest rise is 75m, the largest service floor is 24 floor. It can be widely used in various of places as commercial building , hotel and top-grade shopping mall and etc.

Instruction

C300 observation elevator has a lot of cars for customer's choice. It's control system, driven system, human interface and landing door can refer to C300 passenger Elevator.



HC-003 Plane Type

Arch canopy	Baked Enamel Steel and acrylic.
Observation glass	Laminated Glass (two pieces). Glass thickness is 6+6mm.
Decoration ceiling	Baked Enamel Steel and acrylic.
Car panel	Hirline ST/ST
Handrail	ST/ST, φ38mm
Floor	PVC



HC-004 Half Round Type

Arch canopy	painted steel, acrylic cover lighting
Canopy skirt	painted steel
Observation glass	180° round glue glass(3 pieces) thickness5+5mm
Decoration ceiling	painted steel, mirror ST/ST and acrylic cover lighting
Car panel	Hirline ST/ST
Handrail	ST/ST, φ32mm
Floor	PVC

HC-005 Half Round Type

Arch canopy	Acrylic decorated with lighting lines
Canopy skirt	Painted steel
Observation glass	180° round glue glass(3 pieces) thickness5+5mm
Decoration ceiling	ST/ST Mirror Finished and acrylic.
Car panel	Hirline ST/ST
Handrail	ST/ST, φ38mm
Floor	PVC



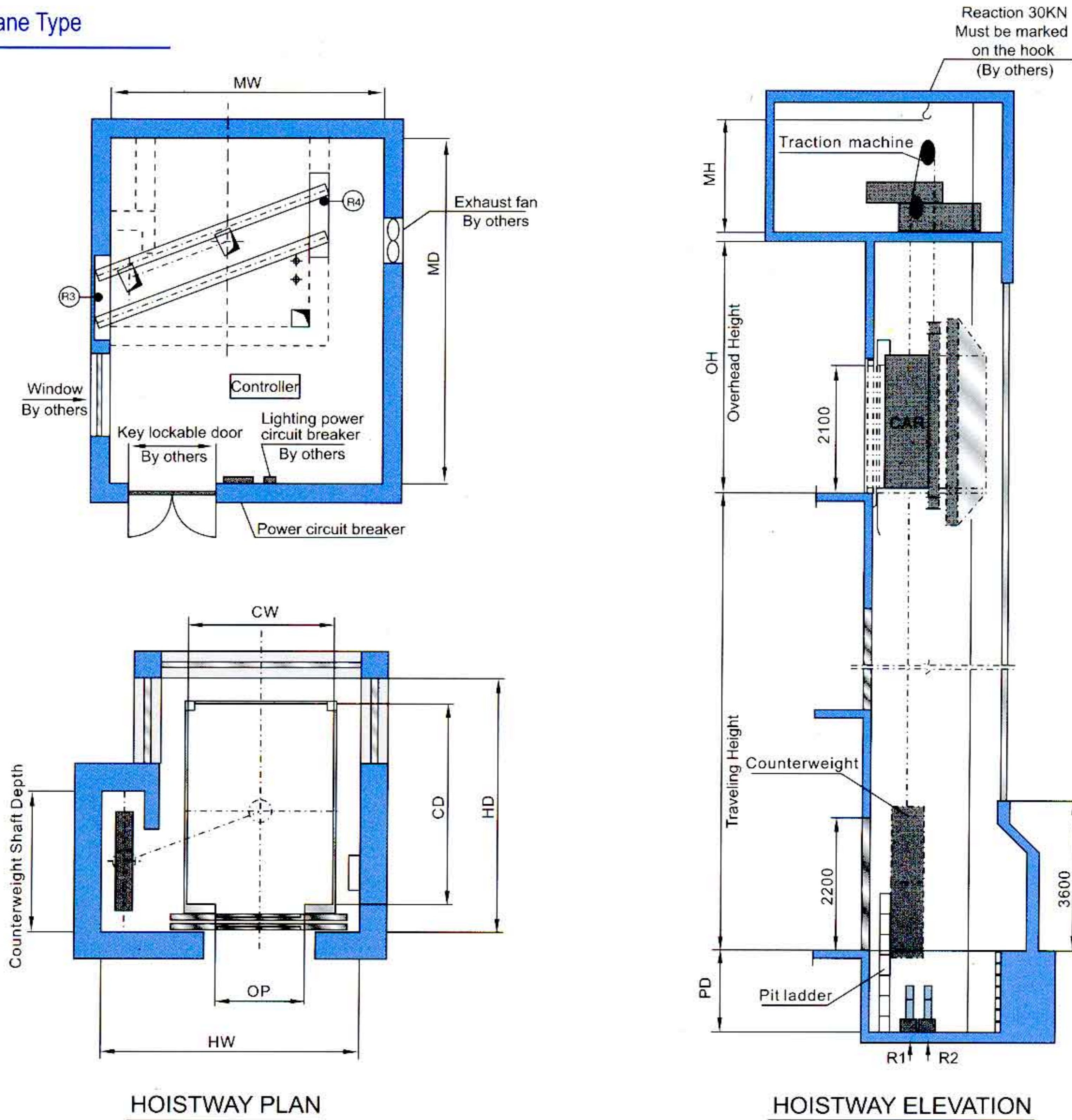
HC-007 Half Round Type

Arch canopy	Painted steel
Canopy skirt	N/A
Observation glass	180° round glue glass(3 pieces) thickness5+5mm
Decoration ceiling	painted steel frame and acrylic
Car panel	Hirline ST/ST
Handrail	ST/ST, φ25mm
Floor	PVC



C300 Observation Elevator (B)

Plane Type



Standard specification of plane type observation elevator

Specification	Capacity kg	Speed m/s	Power kW	Clear car dimension mm			Clear hoistway dimension mm				Max. number of stops	Max. Traveling height m	Reaction load kN							
				CW	CD	OP	HW	HD	PD	OH			R1	R2	R3	R4				
P0800010S-CO	800	1.00	9	1250	1600	800	2320	2100	1900	5000	14	40	91	76	58	46				
P0800015S-CO		1.50	15														2000	5100	20	65
P0800017S-CO		1.75	15														2000	5100	24	75
P1000010S-CO	1000	1.00	11	1300	1835	800	2320	2330	1900	5000	14	40	111	91	68	56				
P1000015S-CO		1.50	18.5														2000	5100	20	65
P1000017S-CO		1.75	18.5														2000	5100	24	75

Note: above is simple layout, details please refer to layout brochure

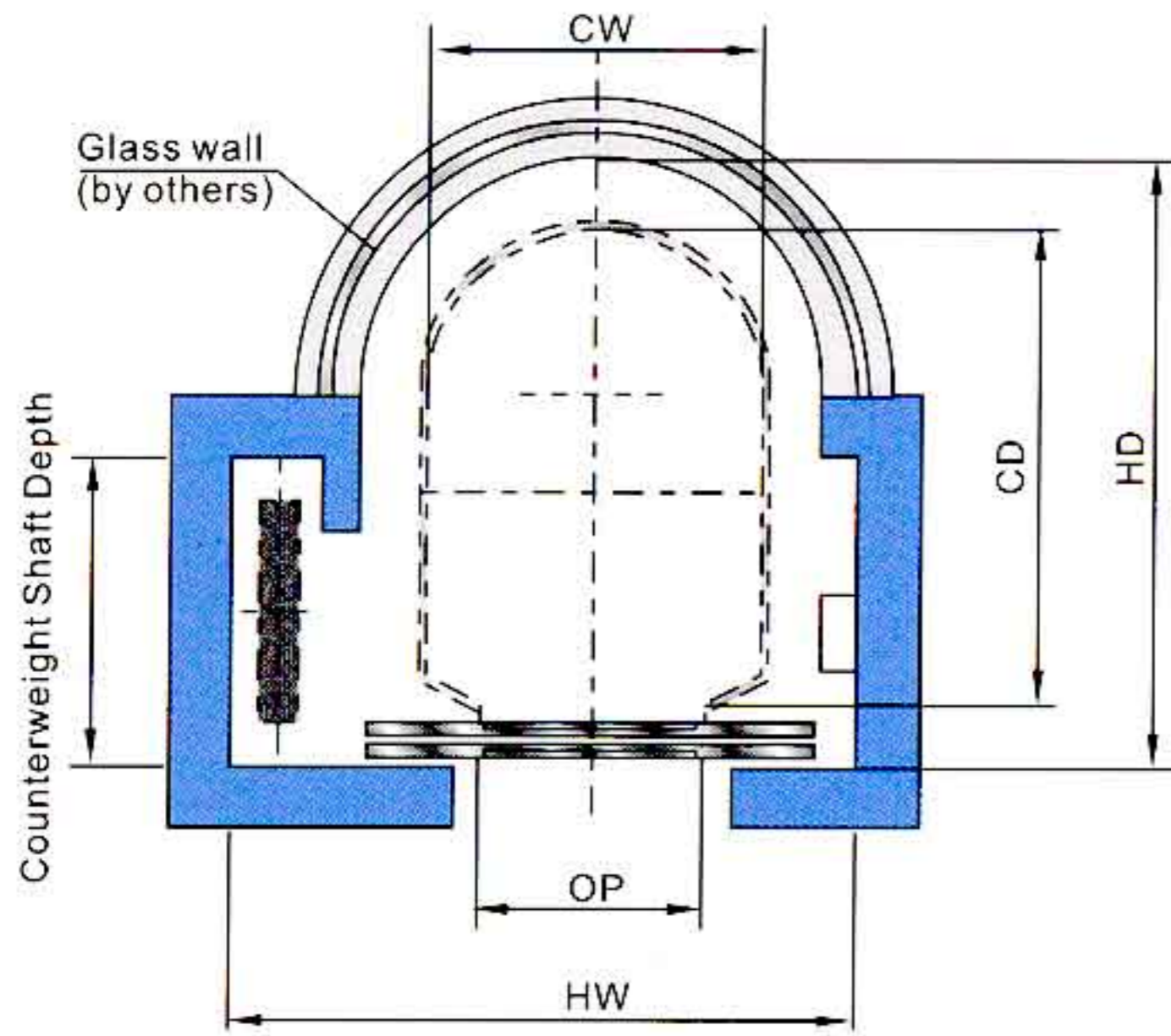
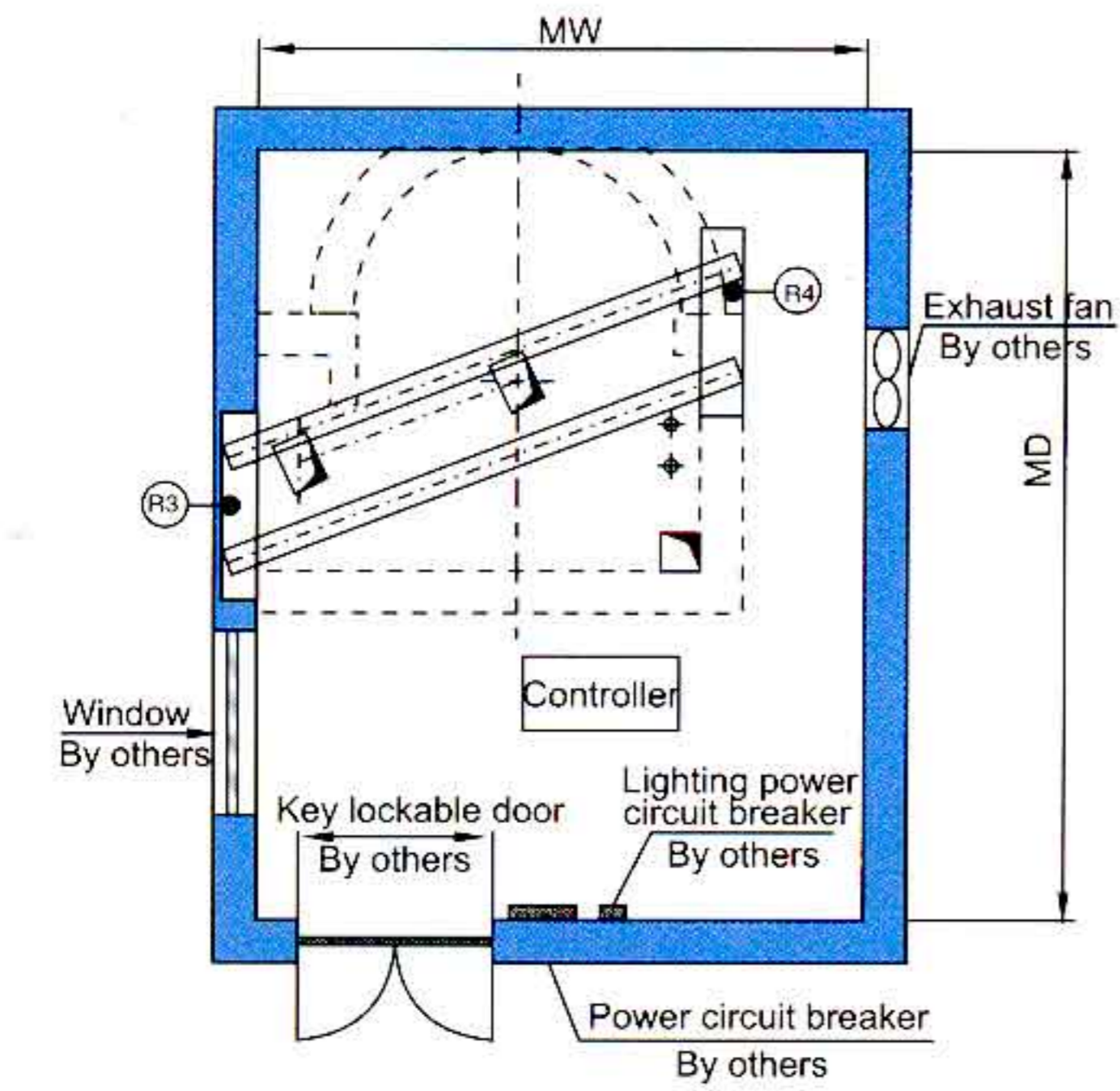
Electrical design guide

380V

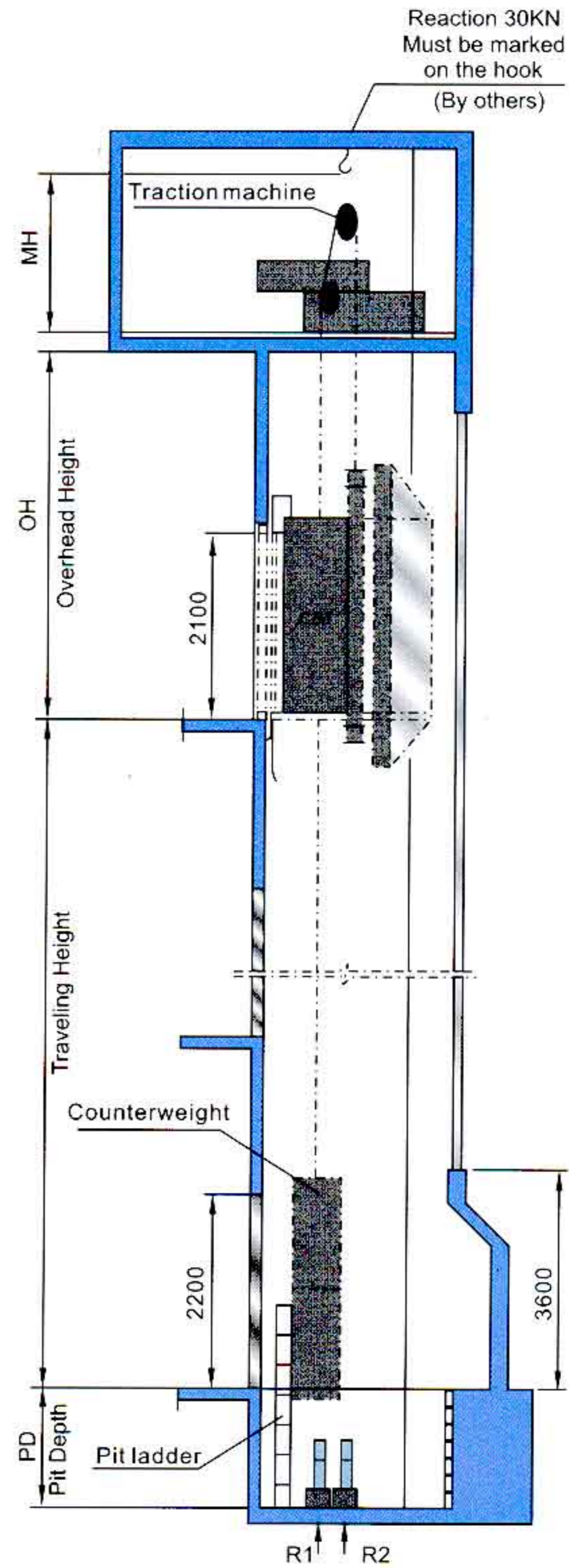
Speed (m/min)	Capacity		Motor Capa. (kW)	MCCB Capacity of Building (A)		Power Supply Capacity (KVA)		Lead-in Wire Size (mm ²)		Earth Wire Size (mm ²)	Heat Output (kJ/H)	Starting Power (kVA/set)
	Person	Load (kg)		Simplex	Duplex	Simplex	Duplex	Simplex	Duplex			
60	10	800	9	30	55	10.6	21.2	6	10	6	5041	20.7
	13	1000	11	35	63	13.2	26.4	6	10	6	6300	25.3
90	10	800	15	45	90	17.4	34.8	10	17	10	7560	34.5
	13	1000	18.5	60	110	21.7	43.4	16	20	16	9451	42.55
105	10	800	15	45	90	17.4	34.8	10	16	10	8820	34.5
	13	1000	18.5	60	110	21.7	43.4	16	20	16	11026	42.55

C300 Observation Elevator (B)

Half Round Type



HOISTWAY PLAN



HOISTWAY ELEVATION

Standard specification of half round type observation elevator

Specification	Capacity kg	Speed m/s	Power kW	Clear car dimension mm			Clear hoistway dimension mm				Max. number of stops	Max. Traveling height m	Reaction load kN										
				CW	CD	OP	HW	HD	PD	OH			R1	R2	R3	R4							
P0800O10S-CO	800	1.00	9	1300	1750	900	2500	2320	1900	5000	14	40	91	76	58	46							
P0800O15S-CO		1.50	15														2000	5100	20	65			
P0800O17S-CO		1.75	15														2000	5100	24	75			
P1000O10S-CO	1000	1.00	11	1350	1995	900	2500	2430	1900	5000	14	40	111	91	68	56							
P1000O15S-CO		1.50	18.5														2000	5100	20	65			
P1000O17S-CO		1.75	18.5														2000	5100	24	75			

Note: above is simple layout, details please refer to layout brochure

Electrical design guide

380V

Speed (m/min)	Capacity		Motor Capa. (kW)	MCCB Capacity of Building (A)		Power Supply Capacity (KVA)		Lead-in Wire Size (mm ²)		Earth Wire Size (mm ²)	Heat Output (kJ/H)	Starting Power (kVA/set)
	Person	Load (kg)		Simplex	Duplex	Simplex	Duplex	Simplex	Duplex			
60	10	800	9	30	55	10.6	21.2	6	10	6	5041	20.7
	13	1000	11	35	63	13.2	26.4	6	10	6	6300	25.3
90	10	800	15	45	90	17.4	34.8	10	17	10	7560	34.5
	13	1000	18.5	60	110	21.7	43.4	16	20	16	9451	42.55
105	10	800	15	45	90	17.4	34.8	10	16	10	8820	34.5
	13	1000	18.5	60	110	21.7	43.4	16	20	16	11026	42.55